

RCB0708P SERIES ~ Through Hole Power Inductors



RoHS Compliant

PART NUMBERING SYSTEM

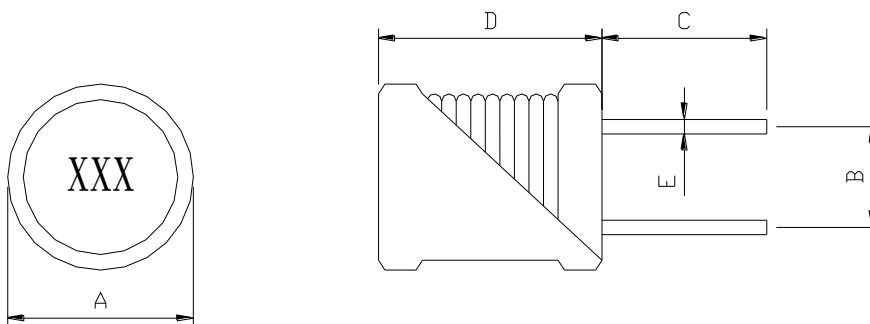
RDR	0708P	—	330K	—	LF
TYPE	DIMENSIONS		INDUCTANCE		LEAD FREE

U : UL Tube

P : PVC Tube

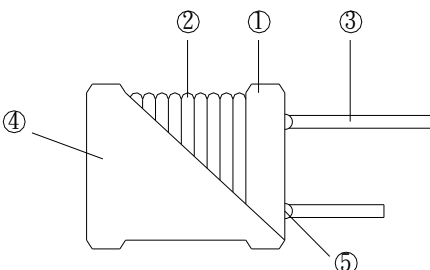
SHAPES AND DIMENSIONS

UNIT : mm



A=8.0 Max. B=5.0±1.0 C=5.0±1.0 D=9.6 Max. E=0.65±0.1

STRUCTURAL DIAGRAM :

	COMPONENT	MATERIALS
	1.Core	Ferrite core
	2.Wire	Polyurethane enameled copper wires
	3.Lead wire	Tinned copper wires
	4.Tube	Heat shrinkable tube, PVC or UL
	5.Glue	Epoxy resin



RCB0708P SERIES ~ Through Hole Power Inductors



RoHS Compliant

SPECIFICATION TABLE

PART NUMBER	INDUCTANCE (μ H)	Q (min)	DCR (Ω) (max)	IDC (A) (max)	SRF(MHz) (min)	TEST FREQ. (f)
RCB0708P-1R0M-LF	1.0 \pm 20%	10	0.006	6.6	70	1KHz
RCB0708P-1R5M-LF	1.5 \pm 20%	10	0.008	5.4	56	1KHz
RCB0708P-2R2M-LF	2.2 \pm 20%	10	0.011	4.0	45	1KHz
RCB0708P-3R3M-LF	3.3 \pm 20%	10	0.018	3.6	36	1KHz
RCB0708P-4R7M-LF	4.7 \pm 20%	10	0.022	3.1	29	1KHz
RCB0708P-6R8M-LF	6.8 \pm 20%	10	0.028	2.5	24	1KHz
RCB0708P-100K-LF	10 \pm 10%	20	0.043	2.1	19	1KHz
RCB0708P-150K-LF	15 \pm 10%	20	0.056	1.7	15	1KHz
RCB0708P-220K-LF	22 \pm 10%	20	0.086	1.4	12	1KHz
RCB0708P-330K-LF	33 \pm 10%	20	0.14	1.1	9.4	1KHz
RCB0708P-470K-LF	47 \pm 10%	20	0.17	0.96	7.6	1KHz
RCB0708P-680K-LF	68 \pm 10%	20	0.28	0.79	6.2	1KHz
RCB0708P-101K-LF	100 \pm 10%	20	0.33	0.66	5.0	1KHz
RCB0708P-151K-LF	150 \pm 10%	20	0.56	0.53	4.0	1KHz
RCB0708P-221K-LF	220 \pm 10%	20	0.72	0.44	3.2	1KHz
RCB0708P-331K-LF	330 \pm 10%	20	1.1	0.36	2.5	1KHz
RCB0708P-471K-LF	470 \pm 10%	20	1.7	0.30	2.0	1KHz
RCB0708P-681K-LF	680 \pm 10%	20	2.3	0.25	1.7	1KHz
RCB0708P-102K-LF	1000 \pm 10%	70	4.3	0.20	1.3	1KHz
RCB0708P-152K-LF	1500 \pm 10%	50	5.0	0.17	1.3	1KHz

- * Inductance Tolerance: M=20% ; K=10%
- * Current to cause 20% Max. inductance drop.
- * Operating temperature range -40 $^{\circ}$ C to +85 $^{\circ}$ C
- * Electrical specifications at 25 $^{\circ}$ C